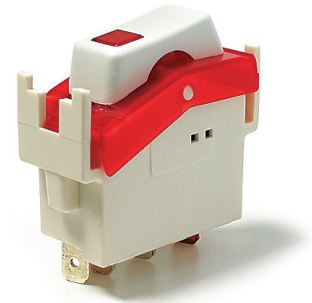


TIPPMATIC® Rocker switch with integrated auto-shut-off function



Auto-Shut-Off

Characteristics	integral timer function different times available single pole on/off illuminated/non-illum. snap-in mounting temp. 100/55°
Rating	250 VAC, 12 (4) A 125 VAC, 15 A
Dimensions (mm)	37.2 17 ~38
Actuator	standard rocker 25.4 10.7 mm
Approvals	ENEC, cUL

Preferred Range Switch

Ordering Reference	Illumination	Terminals 4,8	Time delay		Approvals ENEC
			50 Hz	60 Hz	
3600-411.27 1552	With	tab 4,8 mm	15 min.	12.5 min.	250 VAC 12 (4) A
3600-414.27 1552	With	tab 4,8 mm	120 min.	100 min.	250 VAC 12 (4) A
3600-412.27 1552	With	tab 4,8 mm	30 min.	25 min.	250 VAC 12 (4) A
3600-451.40 1552	With	tab 4,8 mm	40 min.	33.3 min.	250 VAC 12 (4) A

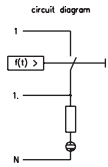
Preferred Range Switch cover

Ordering Reference	Size (mm)	Color
100-012.0152	10,5 25	white
100-012.0167	10,5 25	black

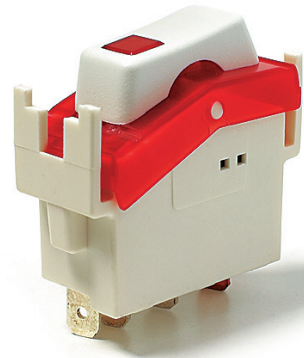
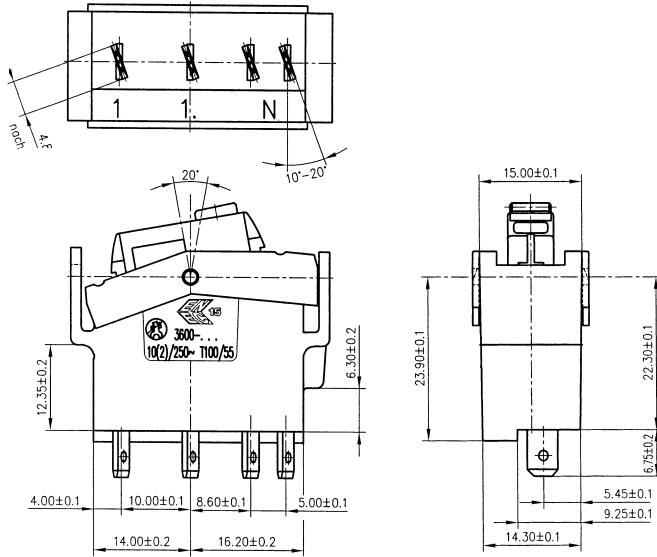
Specifications

Base	PA
Rocker	PC
Mechanism	Single pole
Functions	ON/OFF
Contacts	Ag/Ni
Protection	IP00
Mounting	Snap-in mounting or customised
Tracking Resistance	PTI 250
Glow-wire	850°C
Contact gap	3 mm

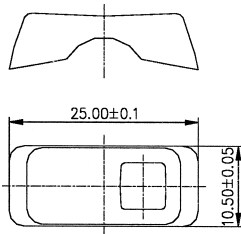
Circuit diagram



Dimension



Rocker



Standard range switches

Ordering Reference	Illumination	Terminals 4,8	Time delay		Approvals ENEC
			50 Hz	60 Hz	
3600-413.40 1552	With	tab 4,8 mm	60 min.	50 min.	250 VAC 12 (4) A
3600-512.28 1542	With	tab 4,8 mm	30 min.	25 min.	125 VAC 15 A